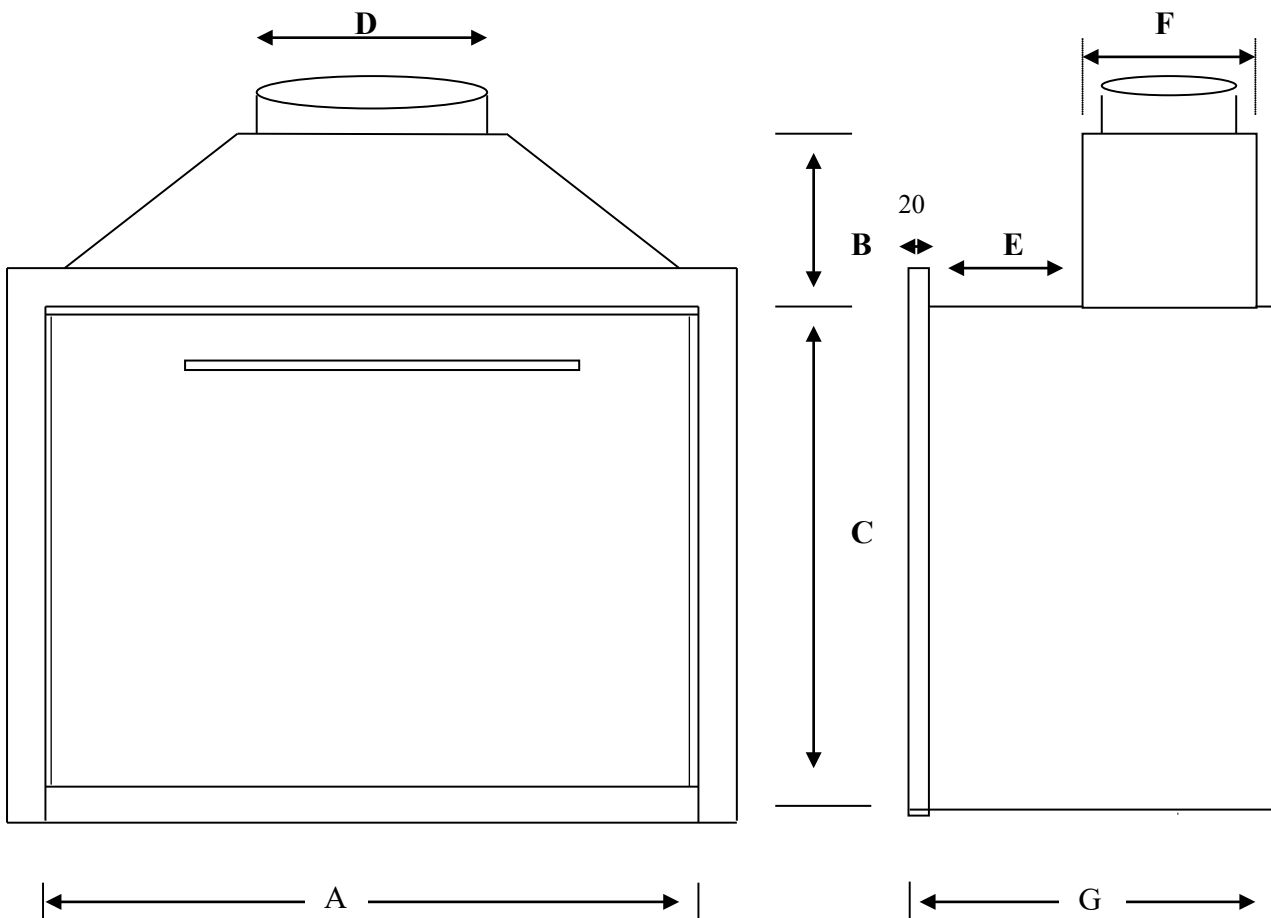


SPECIFICATIONS FOR PROFESSIONAL BUILD-IN BRAAIS



PRODUCT	A	B	C	D	E	F	G
MEASUREMENTS GIVEN IN MILLIMETRE							
800	800	250	825	300 Ø	190	320	570
1000	1000	250	825	350 Ø	140	370	570
1200	1200	250	825	350 Ø	140	370	570
1500 shallow	1500	290	825	450 Ø	140	470	670
1500 Deep	1500	300	935	450 Ø	180	480	720
1800 Shallow*	1800	300	935	800 mm	210	400 mm	670
❖ The shallow 1800mm has rectangular flues instead of round flues.							
Standard Flange widths vary between 50 – 70 mm, depending on size braai.							
May be ordered custom.							



THERMO FIRES
All rights reserved