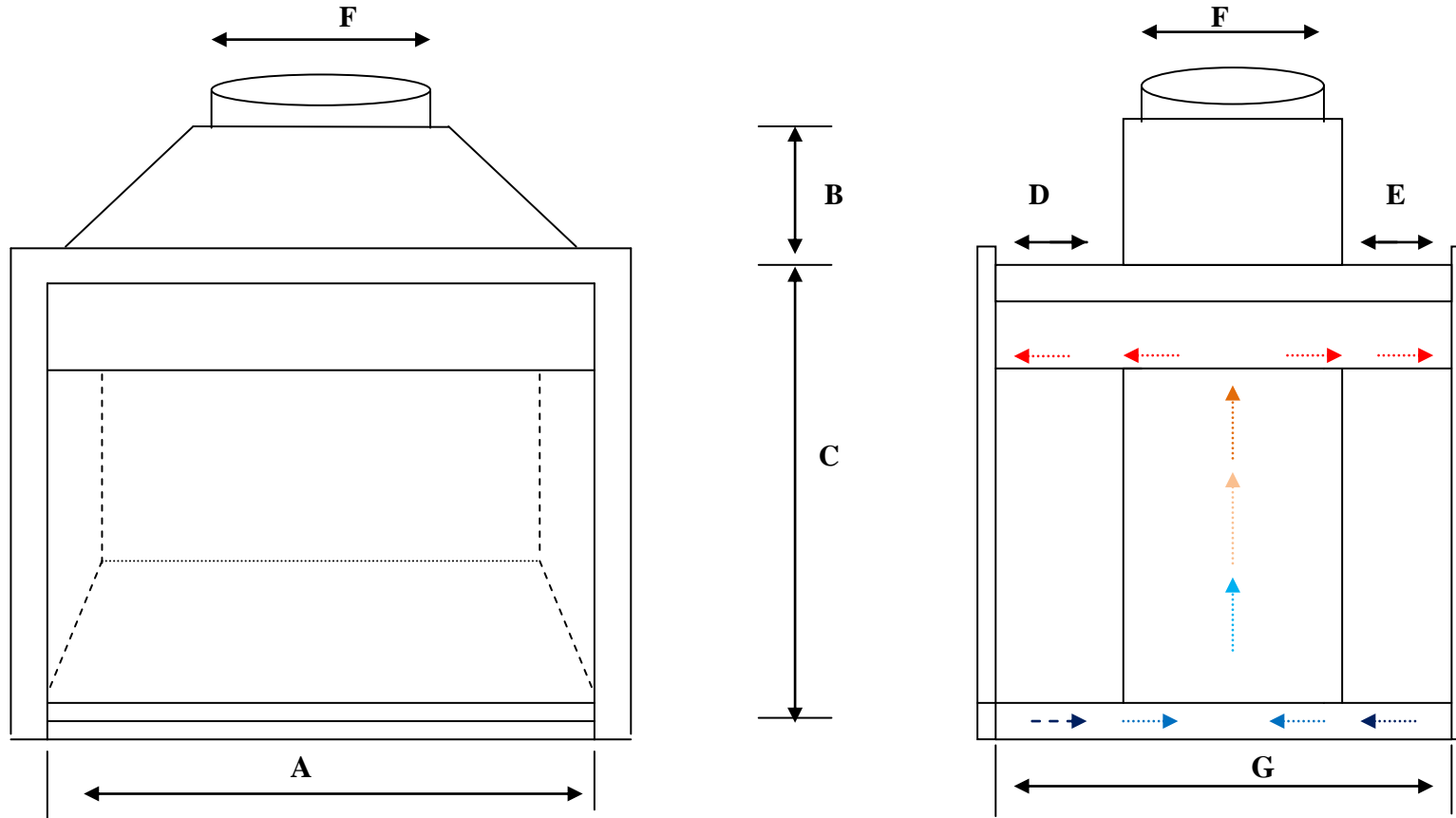


## SPECIFICATIONS FOR DOUBLE SIDED BUILD-IN FIREPLACES



PRODUCT	A	B	C	D	E	F	G
MEASUREMENTS GIVEN IN MILLIMETRES							
600	600	270	750	185	185	230 Ø	620
700	700	270	750	175	175	250 Ø	620
850	850	270	750	150	150	300 Ø	620
1050	1050	320	750	125	125	350 Ø	620
1200	1200	320	750	150	150	380 Ø	700